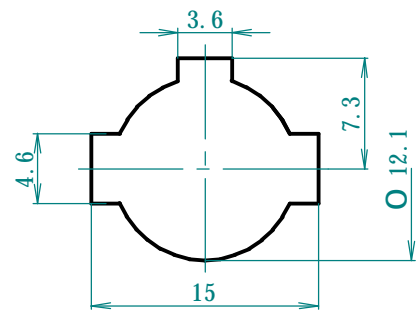


Mounting Hole
Recommended P.C. Board thickness t1.6mm



Mounting Hole
Recommended Panel thickness t1.6mm

8 P Micro Connector
D 8 - 1 1 0 N - 2 0 0 A
Dimensions