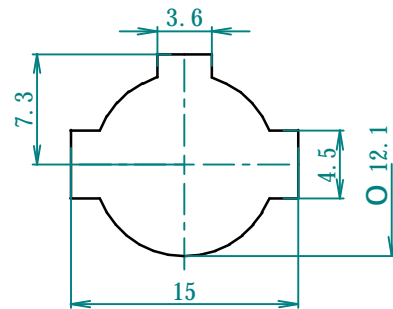


Mounting Hole
Recommended P.C. Board thickness t1.6mm



Mounting Hole
Recommended Panel thickness t1.6mm

5 P Micro Connector
D5-110N-200A
Dimensions