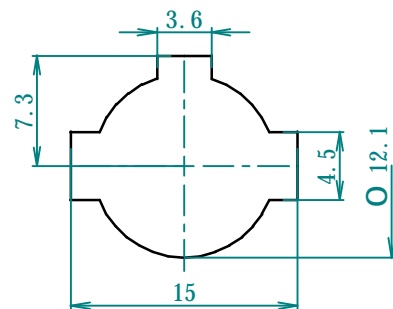


Mounting Hole  
Recommended P.C. Board thickness t1.6mm



Mounting Hole  
Recommended Panel thickness t1.6mm

**5 P Micro Connector**  
**D5-110N-100A**  
**Dimensions**